



BAHCO 26" NEXT GENERATION TOP-CHEST

STORAGE HUB E87 TOP-CHEST

HUB is where it begins! The BAHCO Next Generation Top-chest is specially made for heavy duty performance. Expand your Storage HUB E77 'PREMIUM' with the special E87 Top-chest to provide even more storage capacity. This exclusive curved-edge design includes many advanced safety features such as anti-tilting drawers with individual shock protecting corner and a new pivoting latching system. With the Top-chest on top of your trolley, you can still add a wide variety of Bahco Xpand accessories. The Storage HUB E87 'Top-chest' comes with an anti-rust powder coating in 3 different colours and has 4 drawers.



4 INTERCHANGEABLE TOPS AVAILABLE FOR HANDLING ANY JOB. STANDARD COMPOSITE TOP CAN BE REPLACED BY STAINLESS STEEL, MDF OR CHESTNUT WOOD

ULTIMATE ACCESS CONTROL WITH A ROUND MASTER LOCKING SYSTEM, A MASTER KEY OR ELECTRONIC SOLUTIONS

MODULAR ADD-ON SYSTEM FOR CREATING A FLEXIBLE AND PERSONAL WORKSPACE WITH A WIDE RANGE OF XPAND ACCESSORIES

PAINTED IN- AND OUTSIDE WITH A HIGH-QUALITY SCRATCH RESISTANT POWDER COATING

FULL OPENING DRAWERS WITH '10AAT' ANTI-TILTING AND WITH A NEW PIVOTING LATCHING SYSTEM

DRAWER INDIVIDUAL SHOCK PROTECTING CORNER BUMPERS FOR DEFENDING AGAINST UNEXPECTED COLLISIONS

STORAGE HUB
E77 'PREMIUM' / E72

SUITABLE FOR
BETIMS
CONFIGURATOR

AND

fit & go
SYSTEM

STORAGE HUB E87 TOP-CHEST



COLOURS

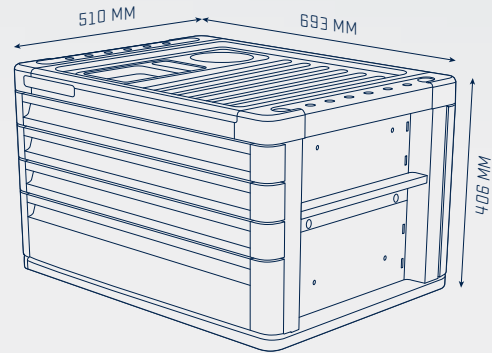
NO. DRAWERS	4
ORANGE RAL2009	1487K4
GREY RAL9022	1487K4GREY
BLACK RAL9005	1487K4BLACK

More colours?

Design your own storage solution with our BETMS configurator. Ask your dealer for more information.

PRODUCT DETAILS

SIZE:	26"
WEIGHT:	40 kg
LOADING CAPACITY:	400 kg
DRAWER CAPACITY:	up to 45 kg
COLOURS:	Orange, Black or Grey
NO. DRAWERS:	4
CUSTOMIZABLE:	Yes (BETMS Configurator)
LOCKING SYSTEM:	Standard Master key. Optional: MIFARE / PIN lock



XPAND ACCESSORIES

INTERCHANGEABLE BENCH TOPS	Composite / Chestnut wood / MDF / Stainless steel	1477K-ACTP / 1477K-ACTW / 1477K-ACTD / 1477K-ACTSS
MASTER-KEY UPGRADE	1 key to lock multiple tool trolleys	1477K-MASTERKEY
MIFARE LOCKING SYSTEM	Battery powered ID card access control	1477K-AC25
PIN CODE LOCKING SYSTEM	Battery powered NUMERIC acces control	1477K-AC24
SPRAY CANISTER HOLDER	Anti-rust coated steel body	1477K-AC20
ROLL HOLDER	Anti-rust coated steel body	1477K-AC18
POWERTOOL HOLDER	Anti-rust coated steel body	1477K-AC21

ULTIMATE TOOL MANAGEMENT WITH BETMS CREATE YOUR OWN STORAGE SOLUTION

Design your model, select your tools and personalize it with our BETMS configurator. More info: Bahco.com

READY-TO-USE FOAM INLAYS FOR YOUR DRAWERS A PERFECTLY-ORGANISED TROLLEY WITH FIT&GO

Organise your tool drawers exactly as you want them, keeping your trolley clean and organised. More info: Bahco.com

